



**Fast, simple & clean  
construction?  
It's possible now!**

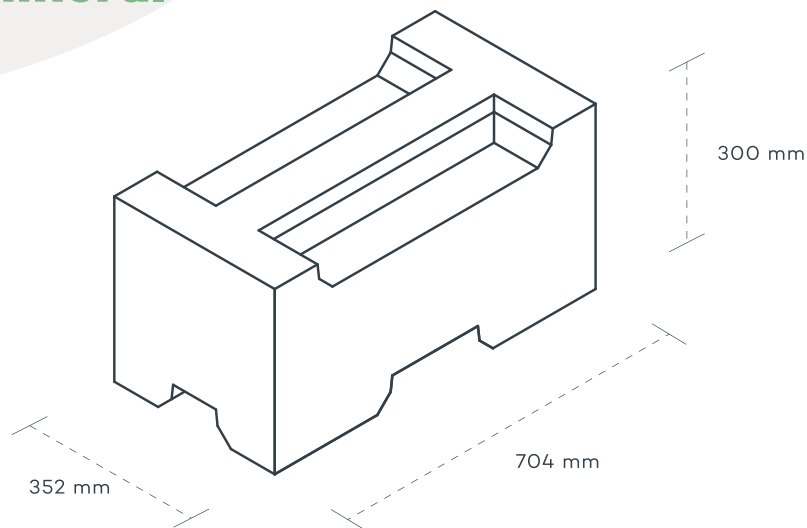
**SYSTEM3E®**



With SYSTEM 3E you will build walls in all weather conditions and in any climate zone - 365 days a year. Without mortar. Without primer. Without insulation. Without the need to hire skilled workers.

## Ecologically, economically and energy-saving

**Perlite - a natural mineral**



insensitivity to temperature drops and increases from -200 to +900°C

~~Weather windows~~

~~Technological breaks~~

~~Waste after construction~~

## Element 3E

without mould, fungi and algae (pH=12,8) ←  
protection against insects and rodents ←

excellent compressive strength  $\geq 1,5 \text{ N/mm}^2$  ←

great heat transfer coefficient of  $0,072 \pm 0,003 \text{ W/mK}$  ←

expansion under the influence of moisture  $\leq 0,35 \text{ mm/m}$  ←

trace water absorption after 10'  $\leq 40 \text{ g/m}^2 \cdot \text{s}^{0,5}$  ←

good water vapor permeability  $\mu \leq 15$  ←

exceptional fire resistance of the REI 240+M ←

## Wall in SYSTEM 3E

The walls in SYSTEM 3E do not require mortar or insulation. They are characterized by excellent thermal insulation, as well as great sound insulation. 3E walls are also distinguished by high fire resistance.

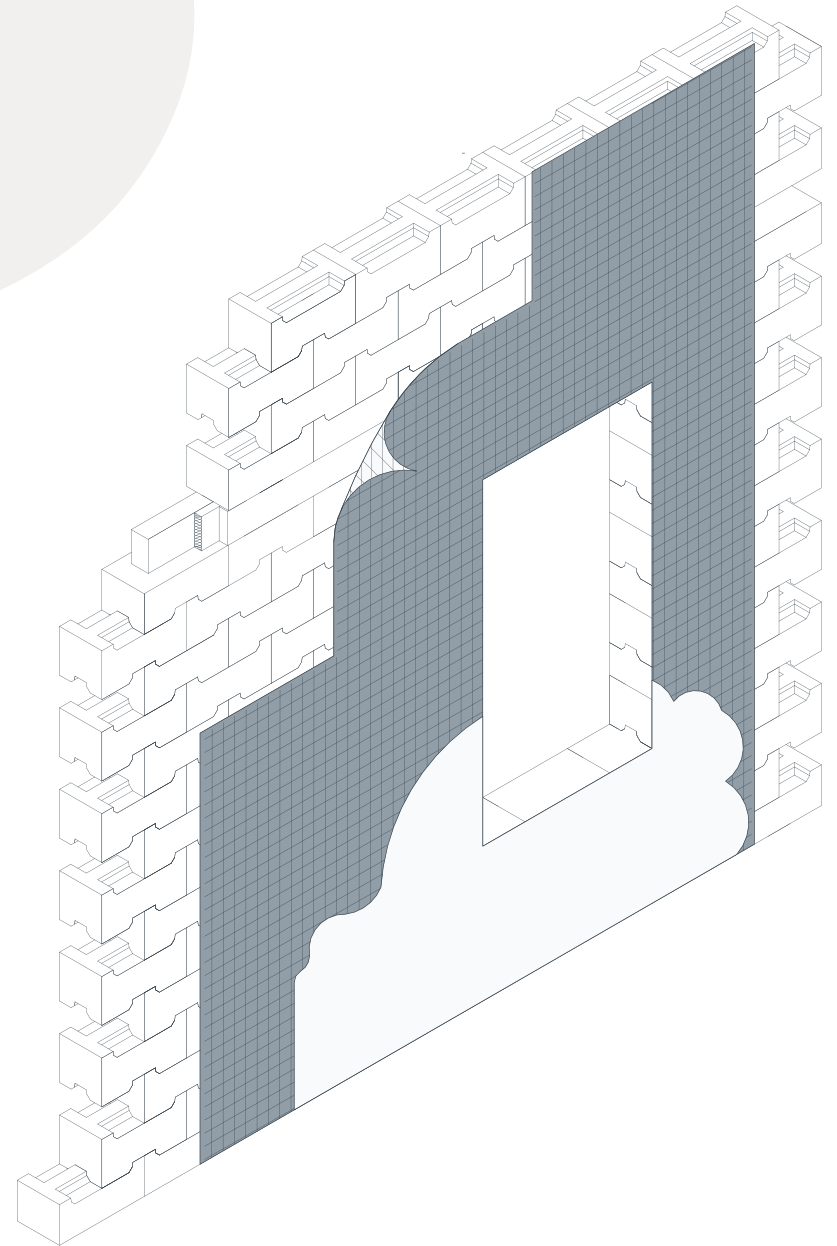
The Elements 3E from which the walls are made have a compressive, shear and bending resistance confirmed by tests.

The unique, precise shape of the wali elements in SYSTEM 3E reduces the building time four times - 1 m<sup>2</sup> in 4.5 minutes.

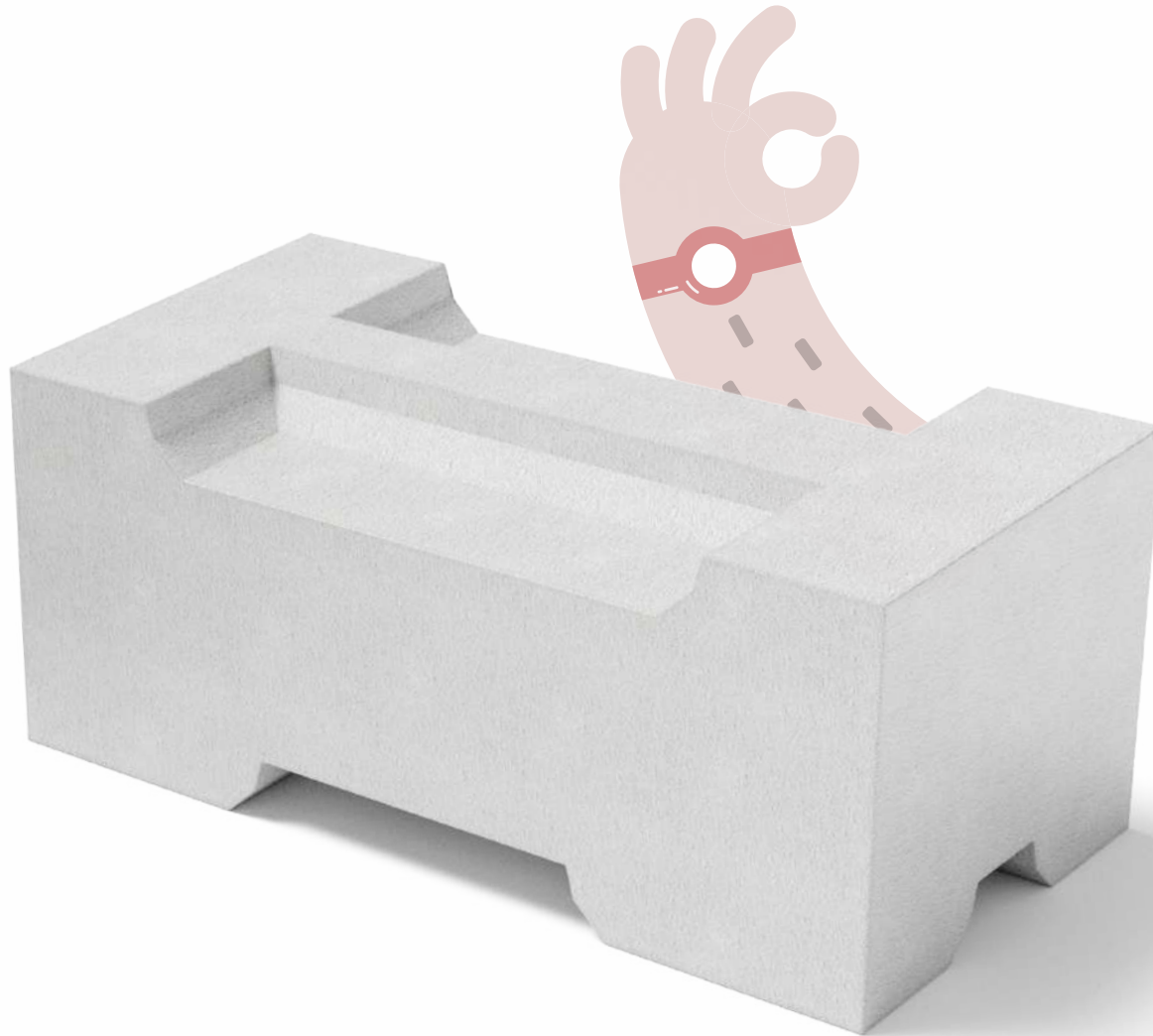
The material from which the Elements 3E are made allows for trouble-free grooving for electrical and hydraulic installations.

**U=0,198 W/m<sup>2</sup>K**  
**REI 240+M**

**35 cm - the thinnest  
wall that meets the  
standards!**



# Element 3E EKO+



Elements 3E are compliant with the latest thermal insulation requirements, which apply from 31 December 2020\*.

**U=0,198 W/m<sup>2</sup>K**

\*An Announcement of the Minister of Investment and Development of 8 April 2019 on the announcement of the consolidated text of the Regulation of the Minister of Infrastructure on technical conditions to which buildings and their location should conform.

**Measurable  
savings!**



# Intuitive building

6 basic elements ←

Morse taper reference for precise wedging ←

Each element is drawn in the building project ←

**A healthy and breathable house -  
the perfect solution for allergy  
sufferers and asthmatics!**



# **SYSTEM 3E will make your investment stand out**

- the main component of the product is natural perlite
- low-energy production process
- construction without mortar which means no chemical compounds
- no insulation, i.e. no petroleum based products
- reduction of waste on the construction site by up to 80%
- up to 4x reduction in water consumption
- 100% recyclable material

## Availability of Elements 3E

We are a manufacturer, not a distributor. We have our own modern factory in Radomsko and we provide transport to the construction site ourselves, which means that there are no additional margins. We guarantee price stability and material availability. SYSTEM 3E - independence and self-sufficiency!

**Do you want to build in our technology? Are you interested in partner cooperation? Write to us!**

SYSTEM 3E SA  
Rondo ONZ 1  
00-124 Warsaw

**+48 531 130 120**  
**[kontakt@system3e.com](mailto:kontakt@system3e.com)**

You can also find us  
on Facebook and on the  
website **[www.system3e.com](http://www.system3e.com)**

dom3e   
system3e 

